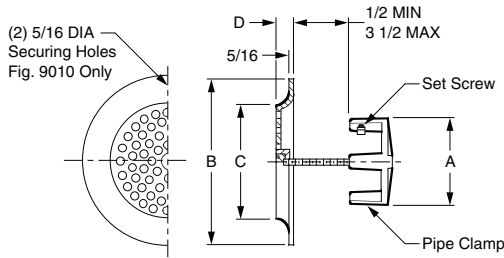


SPECIALTIES, STAINLESS AND CARBON STEEL



FIG 9005 FRESH AIR INLET WITH PIPE CLAMP FIG 9010 FRESH AIR INLET LESS PIPE CLAMP

FUNCTION: Provides a protective cover for the fresh air inlet piping at the exterior wall and allows ample air to enter the system.



OPTIONS:
Less Pipe Clamp (Specify Fig 9010)
03-10".....**100.00**

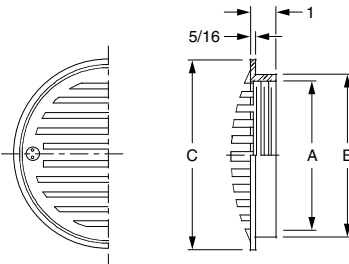
DEDUCT

A PIPE SIZE	B DIA	C DIA	D	FREE AREA SQ IN	†POLISHED BRONZE	POLISHED NB	CHROME PLATED	APPROX. WT. LBS.
03, 04"	8"	5 1/4"	3/4"	7"	513.00	603.00	856.00	5
05"	10"	7 3/4"	3/4"	18.26"	815.00	1,036.00	1,158.00	7
06"	10"	7 3/4"	3/4"	18.26"	815.00	1,036.00	1,158.00	7
08"	14"	11 1/2"	1"	44.88"	1,254.00	1,649.00	1,695.00	13
10"	14"	11 1/2"	1"	44.88"	1,254.00	1,649.00	1,695.00	13

REGULARLY FURNISHED: Polished Bronze with Vandal Proof Screws.

FIG. 9020 FRESH AIR INLET WITH FEMALE THREADED PIPE CONNECTION

FUNCTION: Provides a protective cover for the fresh air inlet piping at the exterior wall and allows ample air to enter the system.



A PIPE SIZE	B DIA	C DIA	FREE AREA SQ IN	†POLISHED BRONZE	POLISHED NB	CHROME PLATED	APPROX. WT. LBS.
04"	4 3/4"	7"	13.60"	611.00	729.00	959.00	4
05"	6"	7"	13.60"	747.00	865.00	1,095.00	5

REGULARLY FURNISHED: Polished Bronze with Vandal Proof Screws.

Fig. 9020 Meets New York State Specifications

FIG. 9095 SS FLOOR SINK W/FORMIT® DRAIN INSTALLATION DEVICE

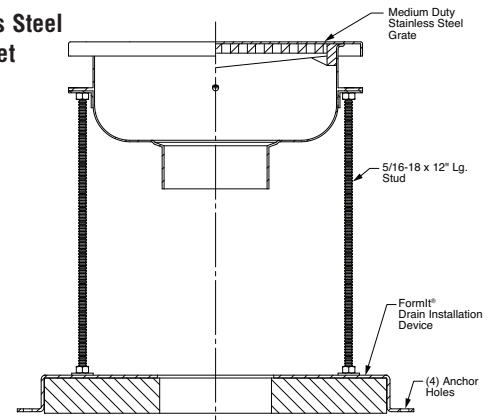
FUNCTION: The Jay R. Smith Mfg. Co.® Formit® Drain Installation Device is designed to stabilize the drain and provide adjustment during the installation process and allows final connection of outlet piping to drain after the concrete pour.



Sump Depth	Type 304 (CF8) Stainless Steel With Dome Bottom Strainer	Type 304 (CF8) Stainless Steel With Sediment Bucket
4"	POA	POA
6"	POA	POA
8"	POA	POA
10"	POA	POA

Y † No-Hub Outlet

BW	Butt Weld Outlet, Schedule 5.....	POA
	Schedule 10.....	POA
	Schedule 40.....	POA



†REGULARLY FURNISHED

FOR INFORMATION ON POA ITEMS, PLEASE CONTACT YOUR LOCAL JAY R. SMITH REPRESENTATIVE

SPECIALTIES, STAINLESS AND CARBON STEEL

FIG. 9110, 9120 ADJUSTABLE "P" TRAP STANDARDS-CAST IRON



FUNCTION: For use with all service sinks.



OPTIONS:
 -N15 1 1/2" Overflow Connection (9120 Only)**362.00**
 -SS For use with Stainless Steel Sink.....**N/C**

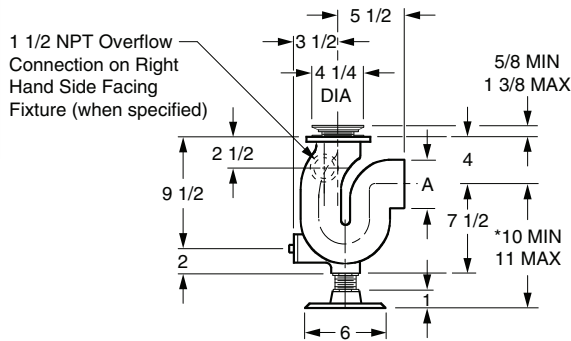


FIGURE NO.	PIPE SIZE	FREE AREA SQ IN	CONNECTION	†ARE INSIDE	ARE INSIDE AND OUTSIDE	APPROX. WT. LBS.
9110	02"	2"	Threaded	958.00	1,256.00	16
9120	03"	2"	Threaded	958.00	1,256.00	22

REGULARLY FURNISHED: Chrome Plated Strainer, Rubber Gasket and Bronze Cleanout Plug. Cast Iron with White Duco Coated Outside and Acid Resistant Coated Inside.

*Roughing shall be coordinated with sink used.

FIG. 9114 TO 9128 ADJUSTABLE "P" TRAP STANDARDS-ALL BRONZE

FUNCTION: For use with all service sinks.



OPTIONS:
 -N15 1 1/2" Overflow Connection (9124 thru 9128 Only)**POA**
 -SS For use with Stainless Steel Sink.....**N/C**

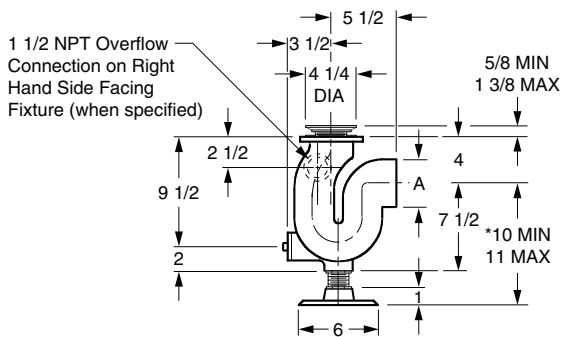


FIGURE NO.	PIPE SIZE	FREE AREA SQ IN	CONNECTION	†ALL BRONZE	APPROX. WT. LBS.
▲9114	02"	2"	Threaded	POA	18
▲9116	02"	2"	Sil-Brazed Outlet	POA	18
9118	02"	2"	Sil-Brazed Grooved	POA	18
9124	03"	2"	Threaded	POA	20
9126	03"	2"	Sil-Brazed Outlet	POA	20
9128	03"	2"	Sil-Brazed Grooved	POA	40

REGULARLY FURNISHED: Chrome Plated Strainer, Rubber Gasket and Bronze Cleanout Plug. Bronze Trap as Cast.

*Roughing shall be coordinated with sink used.

▲Conforms to Military Specification MIL S-2143-B Amendment 1

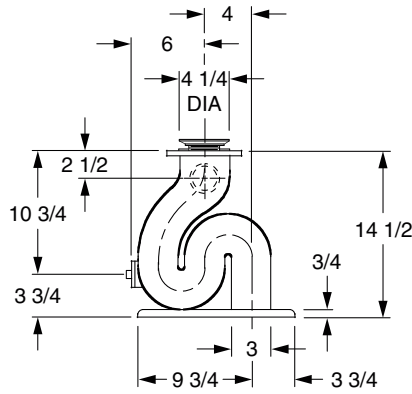
FOR INFORMATION ON POA ITEMS, PLEASE CONTACT YOUR LOCAL JAY R. SMITH REPRESENTATIVE

SPECIALTIES, STAINLESS AND CARBON STEEL

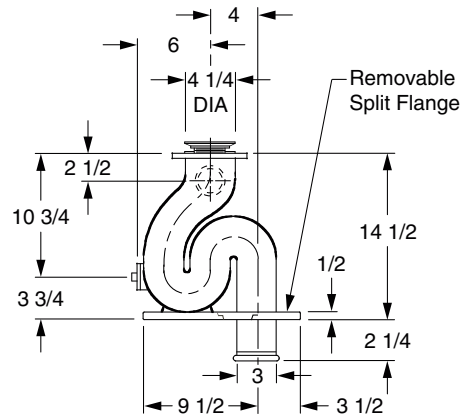
FIG. 9130, 9134, 9140 "S" TRAP STANDARDS-CAST IRON-BRONZE



FUNCTION: For use with all service sinks.



9130



9140

FIGURE NO.	PIPE SIZE	FREE AREA SQ IN	CONNECTION	†ARE INSIDE	ARE INSIDE AND OUTSIDE	ALL BRONZE	APPROX. WT. LBS.
9130	03"	2"	Soil	1,718.00	1,999.00	POA	34
*9134	03"	2"	Soil	-	-	POA	40
9140	03"	2"	Soil	1,806.00	2,087.00	POA	35

OPTIONS:

-N15	1 1/2" Overflow Connection (9130, 9140 Only)	ADD 362.00
-SS	For use with Stainless Steel Sink	N/C

SPECIALTIES

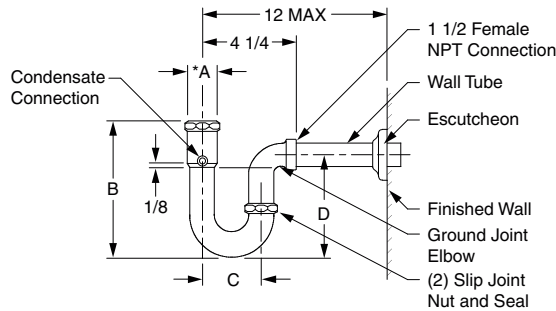
REGULARLY FURNISHED: All Traps with Chrome Plated Strainer, Rubber Gasket and Bronze Cleanout Plug. Cast Iron Traps are White Duco Coated Outside and Acid Resistant Coated Inside. All Bronze Traps are as Cast.

*All Bronze

▲ Conforms to Military Specification MIL S-2143-B Amendment 1.

FIG. 9200 CONDENSATE DRAIN LINE TRAP

FUNCTION: For the collection of condensate from refrigeration or air conditioning equipment. The condensate drains, by gravity, through piping to the tapped inlet on the fixture side of the 9200 trap.



Inlet Outlet Size *A	B	C	D	†17 Gauge Chrome Plated Satin Bronze	17 Gauge Chrome Plated Polished Bronze (-CP)	Approx. Wt. Lbs.
0125 or 0150"	6"	2 7/8"	5"	487.00	586.00	4

REGULARLY FURNISHED: Satin Chrome Plated Cast Bronze P-Trap with Ground Joint Outlet, Threaded Wall Tube, Slip Joint Nuts, Washer, Escutcheon and 1/2" NPT Condensate Connection.

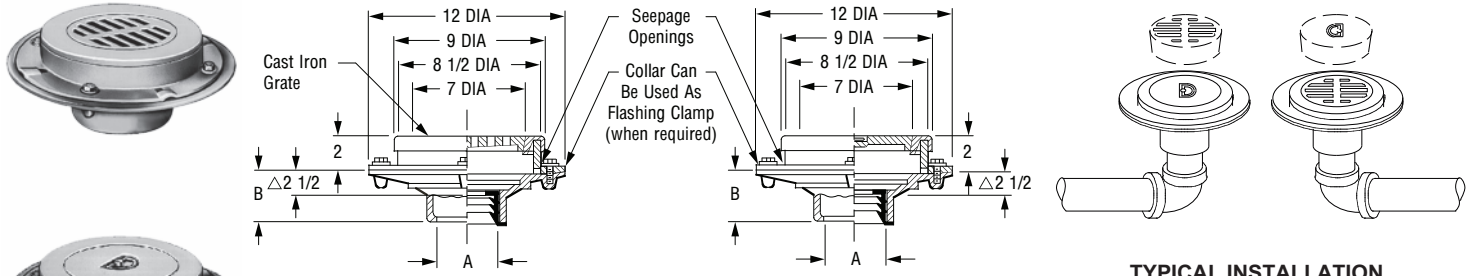
*1 1/4" and 1 1/2" slip joint nuts are provided to accommodate the appropriate fixture tailpiece. Ground joint elbow is threaded 1 1/2" NPT.

SPECIALTIES, STAINLESS AND CARBON STEEL



FIG. 9205 DECONTAMINATION FLOOR DRAINS

FUNCTION: Used in areas where hazardous or otherwise contaminated waste is present. Consists of two individual drains. Slotted grate drain permits drainage of contaminated waste to a separate storage tank, while the adjacent drain connected to the sewer is covered by a solid ground joint plug, thus preventing contaminated waste from entering the sewer system. Switching the solid cover and grate will allow washed down decontaminated waste to be directed to the sewer without entering the contaminated waste storage tank.



△ This dimension to internal stop of Speedi-Set gasket.

TYPICAL INSTALLATION

Drains are located close to each other for ease of switching grate and plug

OUTLET VARIATIONS (Specify type of outlet and pipe size in inches.)

A OUTLET SIZE	TOP SIZE DIA	FREE AREA SQ IN	DUCO CI PB TOP	DUCO CI NB TOP	APPROX. WT. LBS.
02, 03, 04"	9"	10.30	1,586.00	3,942.00	50

Outlet Designation	Outlet Type/Pipe Size	"B" Body HT. DIM.	ADD
Inside Caulk	C02, C03, C04	3 3/4"	N/C
Speedi-Set Outlet SW	L02, L03, L04	3 3/4"	N/C
Speedi-Set Outlet XH	LXH02, LXH03, LXH04	3 3/4"	N/C
Threaded	T02, T03, T04	2"	165.00
No-Hub	Y02, Y03, Y04	3 3/4"	N/C

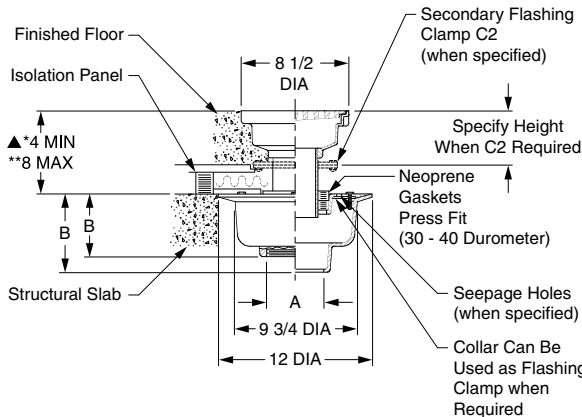
REGULARLY FURNISHED: Two (2) Duco Cast Iron Bodies with Flashing Collar and Bronze Rim. Cast Iron Grate and Ground Joint Plug.

OPTIONS:

Option	Description	ADD
-ARC	Acid Resistant Coated	791.00
-FBSCI	Flat Bottom Str, CI, (ea)	62.00
-G	Galvanized CI	892.00
-M	Ductile Iron Grate and Plug	572.00
-RB	Bronze Grate and Plug	2,356.00

FIG. 9340 DRAIN FOR FLOATING (ISOLATED) FLOOR SYSTEMS

FUNCTION: Used in areas which may have to be isolated from the other parts of the building; such as mechanical equipment rooms, studios, music rooms, laboratories and data processing areas.



OUTLET VARIATIONS (Specify type of outlet and pipe size in inches.)

A OUTLET SIZE	TOP SIZE DIA	FREE AREA SQ IN	DUCO CI PB TOP	DUCO CI NB TOP	APPROX. WT. LBS.
02, 03, 04"	8 1/2"	14.25	1,784.00	2,245.00	90

Outlet Designation	Outlet Type/Pipe Size	"B" Body HT. DIM.	ADD
Inside Caulk	C02, C03, C04	6"	N/C
Speedi-Set Outlet SW	L02, L03, L04	6"	N/C
Speedi-Set Outlet XH	LXH02, LXH03, LXH04	6"	N/C
Threaded	T02, T03, T04	4 3/4"	81.00
No-Hub	Y02, Y03, Y04	6"	N/C

OPTIONS:

Option	Description	ADD
-C	Underdeck Clamp	253.00
-G	Galvanized CI	1,266.00
-R	Sump Receiver Plate	285.00
-U	Vandal Proof Screws	154.00
-W	With Seepage Holes	157.00

REGULARLY FURNISHED: Duco Cast Iron Lower Body and Flashing Collar, Adjustable Nipple, Upper Body, Grate and Neoprene Isolation Gaskets.

*Add 1/4" for Nickel Bronze or Polished Bronze Top.

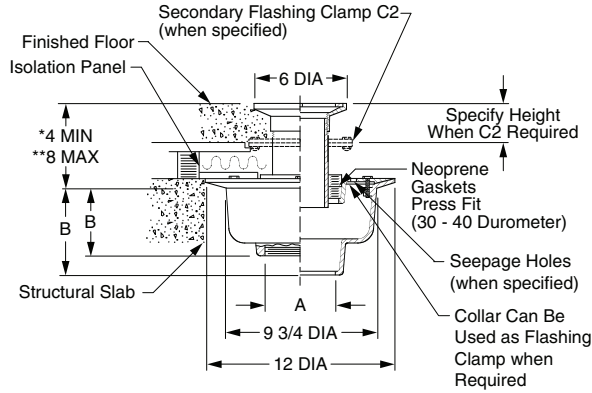
**If greater dimension than shown from lower flange to top is required specify a longer nipple.

▲ Nipple may require cutting to achieve minimum dimension.

SPECIALTIES, STAINLESS AND CARBON STEEL

FIG. 9345 DRAIN FOR FLOATING (ISOLATED) FLOOR SYSTEMS

FUNCTION: Used in areas which may have to be isolated from the other parts of the building; such as mechanical equipment rooms, studios, music rooms, laboratories and data processing areas.



OUTLET VARIATIONS (Specify type of outlet and pipe size in inches.)

Outlet Type	Outlet Designation	Outlet Type/Pipe Size	"B" Body HT. DIM.	ADD
Inside Caulk	C02, C03, C04		6"	N/C
Speedi-Set Outlet SW	L02, L03, L04		6"	N/C
Speedi-Set Outlet XH	LXH02, LXH03, LXH04		6"	N/C
Threaded	T02, T03, T04		4 3/4"	81.00
No-Hub	Y02, Y03, Y04		6"	N/C

OPTIONS:

Option	Description	ADD
-C	Underdeck Clamp	253.00
-G	Galvanized CI	1,266.00
-R	Sump Receiver Plate	285.00
-W	With Seepage Holes	157.00

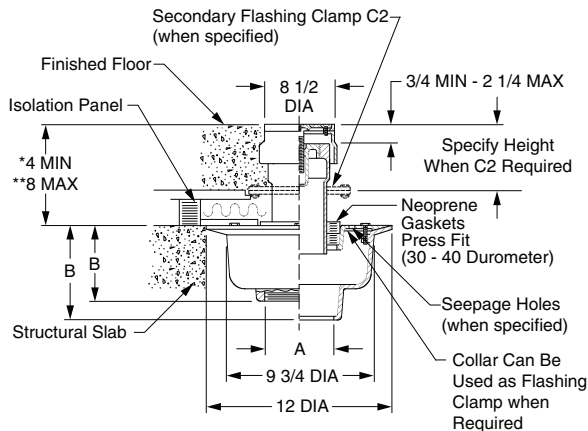
**If greater dimension than shown from lower flange to top is required specify a longer nipple.

A OUTLET SIZE	TOP SIZE	FREE AREA SQ IN	†DUCO CI PB TOP	DUCO CI NB TOP	APPROX. WT. LBS.
02, 03, 04"	8 1/2"	7	1,453.00	1,543.00	90

REGULARLY FURNISHED: Duco Cast Iron Lower Body and Flashing Collar, Duco Cast Iron Top Drain Body with Polished Bronze Top and Neoprene Isolation Gasket.

FIG. 9350 SERIES CLEANOUT FOR FLOATING (ISOLATED) FLOOR SYSTEMS

FUNCTION: Used in areas which may have to be isolated from the other parts of the building; such as mechanical equipment rooms, studios, music rooms, laboratories and data processing areas.



OUTLET VARIATIONS (Specify type of outlet and pipe size in inches.)

Outlet Type	Outlet Designation	Outlet Type/Pipe Size	"B" Body HT. DIM.	ADD
Inside Caulk	C02, C03, C04		6"	N/C
Speedi-Set Outlet SW	L02, L03, L04		6"	N/C
Speedi-Set Outlet XH	LXH02, LXH03, LXH04		6"	N/C
Threaded	T02, T03, T04		4 3/4"	81.00
No-Hub	Y02, Y03, Y04		6"	N/C

OPTIONS:

Option	Description	ADD
-C2	Secondary Flashing Clamp	194.00
-G	Galvanized CI	1,192.00
-QC	Round Top Recessed f/Terrazzo (Fig 9354)	370.00
-S	With Square Top (Fig 9351)	N/C
-S-QC	Square Top Recessed f/Terrazzo (Fig 9355)	370.00
-S-TC	Square Top Recessed f/Tile (Fig 9353)	N/C
-TC	Round Top Recessed f/Tile (Fig 9352)	N/C
-W	With Seepage Holes	157.00

**If greater dimension than shown from lower flange to top is required specify a longer nipple.

A OUTLET SIZE	†DUCO CI PB TOP	DUCO CI NB TOP	APPROX. WT. LBS.
02, 03, 04"	1,694.00	1,756.00	90

REGULARLY FURNISHED: Duco Cast Iron Lower Body and Flashing Collar, Duco Cast Iron Adjustable Ferrule and Frame with Polished Bronze Top, Bronze Cleanout Plug in Ferrule and Neoprene Isolation Gasket.

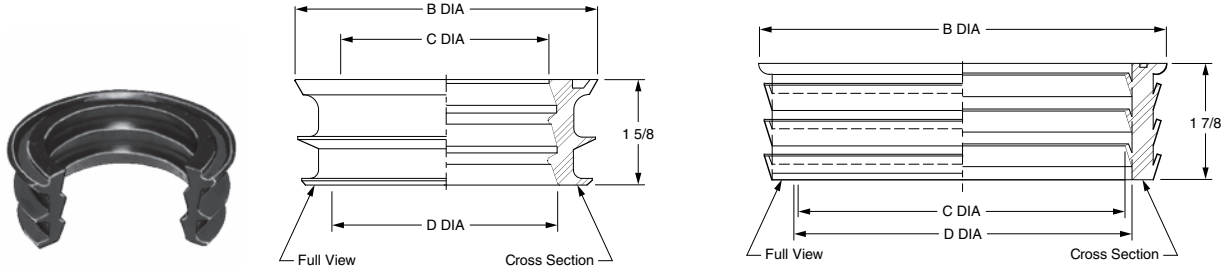
SPECIALTIES

SPECIALTIES, STAINLESS AND CARBON STEEL



FIG. 9502 SMITH SPEEDI-SEAL NEOPRENE GASKET

FUNCTION: Used with most Smith drains having an inside caulk bottom outlet. The "Speedi-Seal" gasket replaces the caulking allowing for a quicker and more reliable seal. It can be used with most piping materials, including service weight, extra heavy and no-hub cast iron, steel and plastic pipe.



02, 03, 04 Sizes

05, 06 Sizes

FIGURE NO	SIZE	B DIA	C DIA	D DIA	LIST PRICE	APPROX. WT. LBS.	GASKET-PIPE COMPATIBILITY						
							CAST IRON NO-HUB	ABS	PVC	PVC THIN WALL	STEEL	COPPER DWV	GLASS
9502-02	02" SW	3 1/2"	2 3/16"	2 7/16"	57.00	1/4	X			X		X	X
9502-03	03" SW	4 5/8"	3 1/8"	3 7/16"	57.00	3/8	X			X		X	
9502-04	04" SW	5 1/2"	4 1/8"	4 7/16"	57.00	3/8	X			X		X	
9502-05	05" SW	6 13/32"	5 1/8"	5 11/32"	57.00	3/8	X						
9502-06	06" SW	7 1/2"	6 1/8"	6 3/8"	57.00	1/2	X						
9502-02XH	02" XH	3 1/2"	2 1/4"	2 1/2"	57.00	1/4		X	X		X		X
9502-03XH	03" XH	4 5/8"	3 5/16"	3 5/8"	57.00	3/8		X	X		X		X
9502-04XH	04" XH	5 1/2"	4 5/16"	4 5/8"	57.00	3/8		X	X		X		X
9502-05XH	05" XH	6 13/32"	5 5/16"	5 17/32"	57.00	1/2							
9502-06XH	06" XH	7 1/2"	6 11/32"	6 9/16"	57.00	5/8							

NOTE: A threaded outlet with a plastic adaptor in lieu of the Speedi-Seal connection is recommended when plastic pipe is used in conjunction with roof drains.

NOTE: Use an adhesive lubricant with plastic pipe.

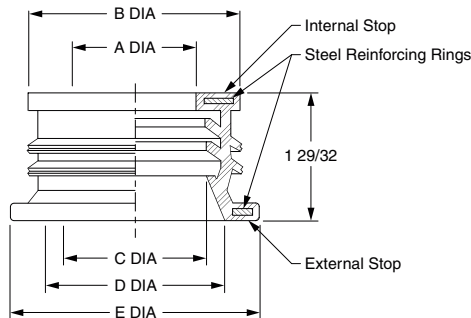
REGULARLY FURNISHED: Molded Neoprene Gasket.

FIG. RH9500 SERIES RAINWATER HARVESTING

Rainwater Harvesting - RH9500 Series - Contact your local Jay R. Smith Representative for pricing.

FIG. 9508 SPEEDI-SET® REINFORCED NEOPRENE GASKET

FUNCTION: Used with Smith Suffix-L Speedi-Set® Drains, etc. to form a speedi-set push-on connection with all piping materials, including service weight, extra heavy and NO-HUB soil pipe, steel and plastic pipe. Heavy duty steel reinforcing rings molded integral with gasket ensure positive pipe and gasket stop at and after assembly for a totally reliable connection seal.



INSTALLATION: The Speedi-Set® reinforced neoprene gasket is normally factory assembled in drain outlet. For field assembly, coat interior of drain outlet with soil pipe joint lubricant and push gasket into place until it "Bottoms Out" on the external stop. Then apply the lubricant to gasket interior, place drain over pipe and push on until pipe end contacts the gasket's internal stop to complete the connection. If pipe is oversize, it may be necessary to tap the drain in place. In such cases, a wood block is recommended to avoid damage to casting.

FIGURE NO	SIZE	A DIA	B DIA	C DIA	D DIA	E DIA	LIST PRICE	APPROX. WT. LBS.	GASKET-PIPE COMPATIBILITY						
									CAST IRON NO-HUB	ABS	PVC	PVC THIN WALL	STEEL	COPPER DWV	GLASS
9508-02	02" SW (-L)	1 3/4"	2 15/16"	2 1/32"	2 9/16"	3 1/2"	57.00	3/8	X			X		X	
9508-03	03" SW (-L)	2 3/4"	3 15/16"	3"	3 5/8"	4 3/8"	57.00	3/8	X			X		X	
9508-04	04" SW (-L)	3 3/4"	4 15/16"	4 1/16"	4 11/16"	5 5/8"	57.00	1/2	X						
9508-02XH	02" XH (-LXH)	1 7/8"	2 15/16"	2 1/32"	2 9/16"	3 1/2"	57.00	1/2		X	X		X	X	
9508-03XH	03" XH (-LXH)	2 3/4"	3 15/16"	3 1/16"	3 5/8"	4 3/8"	57.00	5/8		X	X		X	X	
9508-04XH	04" XH (-LXH)	3 3/4"	4 15/16"	4 3/16"	4 11/16"	5 5/8"	57.00	3/4		X	X		X	X	

REGULARLY FURNISHED: Molded Reinforced Neoprene Gasket.

SMITH STAINLESS STEEL DRAINAGE PRODUCTS



FIG. 9600 - FLOOR DRAIN WITH ADJUSTABLE STRAINER HEAD FOR LIGHT DUTY USE


	Outlet Size	Round Strainer Size	†-CF8 (304) Stainless Steel	-CF8M (316) Stainless Steel
	02, 03, 04"	05"	POA	POA
	02, 03, 04"	06"	POA	POA
	Outlet Size	Square Strainer Size	†-CF8 (304) Stainless Steel	-CF8M (316) Stainless Steel
02, 03, 04"	05"	POA	POA	
02, 03, 04"	06"	POA	POA	

FIG. 9604 - SPECIAL STAINLESS STEEL DRAIN

	Outlet Size	†-CF8 (304) Stainless Steel	-CF8M (316) Stainless Steel
	02"	POA	POA

FIG. 9610 - 6" ROUND TOP FLOOR DRAIN FOR MEDIUM DUTY USE


	Outlet Size	†-CF8 (304) Stainless Steel	-CF8M (316) Stainless Steel
	02, 03, 04"	POA	POA

FIG. 9614, 9615 - 8" ROUND TOP FLOOR DRAIN WITH MEDIUM DUTY LOOSE SET SLOTTED GRATE

	Fig No.	Outlet Size	Sump Depth	†-CF8 (304) Stainless Steel	-CF8M (316) Stainless Steel
	9614	02, 03, 04"	04"	POA	POA
	9615	02, 03, 04"	06"	POA	POA

FIG. 9614-RF, 9614-SRF - 8" ROUND OR SQUARE TOP FLOOR DRAIN FOR HEAVY DUTY RIM FLOW GRATE


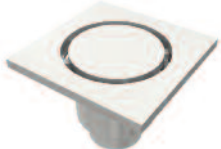
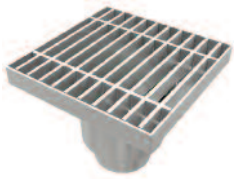
	Fig No.	Outlet Size	Sump Depth	†-CF8 (304) Stainless Steel	-CF8M (316) Stainless Steel
	9614-RF 9614-SRF	02, 03, 04"	04"	POA POA	POA POA
	Fig No.	Outlet Size	Sump Depth	†-CF8 (304) Stainless Steel	-CF8M (316) Stainless Steel
	9614-S	02, 03, 04"	04"	POA	POA

FIG. 9614-S - 8" SQUARE TOP

	Outlet Size	†-CF8 (304) Stainless Steel	-CF8M (316) Stainless Steel
	02, 03, 04"	POA	POA

SMITH STAINLESS STEEL DRAINAGE PRODUCTS

FIG. 9614-SBG - 8" SQUARE TOP WITH BAR GRATE



Outlet Size
02, 03, 04"

†-CF8 (304)
Stainless Steel
POA

-CF8M (316)
Stainless Steel
POA

FIG. 9620, 9621, 9622 - 10" ROUND TOP



Fig No.	Outlet Size	Sump Depth
9620	02, 03, 04"	04"
9621	02, 03, 04"	06"
9622	02, 03, 04"	08"

†-CF8 (304)
Stainless Steel
POA

-CF8M (316)
Stainless Steel
POA

FIG. 9620-RF/SRF, 9621-RF/SRF - 10" ROUND OR SQUARE TOP FLOOR DRAIN WITH HEAVY DUTY RIM FLOW GRATE



Fig No.	Outlet Size	Sump Depth
9620-RF	02, 03, 04"	04"
9620-SRF	02, 03, 04"	04"
9621-RF	02, 03, 04"	06"
9621-SRF	02, 03, 04"	06"

†-CF8 (304)
Stainless Steel
POA

-CF8M (316)
Stainless Steel
POA

FIG. 9620-S, 9621-S - 10" SQUARE TOP

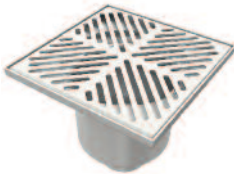


Fig No.	Outlet Size	Sump Depth
9620-S	02, 03, 04"	04"
9621-S	02, 03, 04"	06"

†-CF8 (304)
Stainless Steel
POA

-CF8M (316)
Stainless Steel
POA

FIG. 9620-SBG, 9621-SBG - 10" SQUARE TOP WITH BAR GRATE

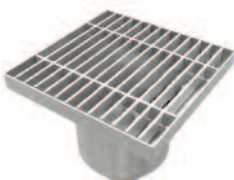


Fig No.	Outlet Size	Sump Depth
9620-SBG	02, 03, 04"	05"
9621-SBG	02, 03, 04"	07"

†-CF8 (304)
Stainless Steel
POA

-CF8M (316)
Stainless Steel
POA

SMITH STAINLESS STEEL DRAINAGE PRODUCTS

FIG. 9630, 9631, 9632, 9633 - 12" ROUND TOP

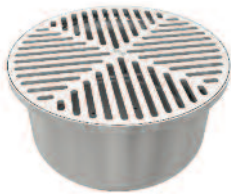


Fig No.	Outlet Size	Sump Depth	†-CF8 (304) Stainless Steel	-CF8M (316) Stainless Steel
9630	02, 03, 04"	04"	POA	POA
9631	02, 03, 04"	06"	POA	POA
9632	02, 03, 04"	08"	POA	POA
9633	02, 03, 04"	10"	POA	POA

FIG. 9630-RF, 9631-RF, 9632-RF - 12" ROUND HEAVY DUTY RIM FLOW GRATE



Fig No.	Outlet Size	Sump Depth	†-CF8 (304) Stainless Steel	-CF8M (316) Stainless Steel
9630-RF	02, 03, 04"	04"	POA	POA
9631-RF	02, 03, 04"	06"	POA	POA
9632-RF	02, 03, 04"	08"	POA	POA

FIG. 9630-S, 9631-S, 9632-S - 12" SQUARE TOP

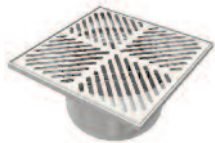


Fig No.	Outlet Size	Sump Depth	†-CF8 (304) Stainless Steel	-CF8M (316) Stainless Steel
9630-S	02, 03, 04"	04"	POA	POA
9631-S	02, 03, 04"	06"	POA	POA
9632-S	02, 03, 04"	08"	POA	POA

FIG. 9630-SBG, 9631-SBG, 9632-SBG - 12" SQUARE TOP WITH BAR GRATE

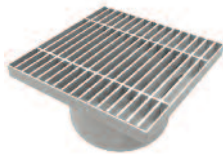


Fig No.	Outlet Size	Sump Depth	†-CF8 (304) Stainless Steel	-CF8M (316) Stainless Steel
9630-SBG	02, 03, 04"	05"	POA	POA
9631-SBG	02, 03, 04"	07"	POA	POA
9632-SBG	02, 03, 04"	09"	POA	POA

FIG. 9630-SRF, 9631-SRF, 9632-SRF - 12" SQUARE HEAVY DUTY RIM FLOW

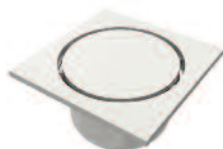


Fig No.	Outlet Size	Sump Depth	†-CF8 (304) Stainless Steel	-CF8M (316) Stainless Steel
9630-SRF	02, 03, 04"	05"	POA	POA
9631-SRF	02, 03, 04"	07"	POA	POA
9632-SRF	02, 03, 04"	09"	POA	POA

SPECIALTIES

SMITH STAINLESS STEEL DRAINAGE PRODUCTS

FIG. 9635-S, 9636-S, 9637-S, 9638-S - 14" SQUARE TOP

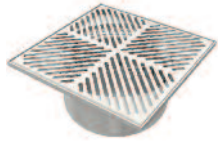


Fig No.	Outlet Size	Sump Depth	†-CF8 (304) Stainless Steel	-CF8M (316) Stainless Steel
9635-S	02, 03, 04, 06"	04"	POA	POA
9636-S	02, 03, 04, 06"	06"	POA	POA
9637-S	02, 03, 04, 06"	08"	POA	POA
9638-S	02, 03, 04, 06"	10"	POA	POA

FIG. 9635-RF, 9636-RF, 9637-RF, 9638-RF - 14" ROUND HEAVY DUTY RIM FLOW GRATE



Fig No.	Outlet Size	Sump Depth	†-CF8 (304) Stainless Steel	-CF8M (316) Stainless Steel
9635-RF	02, 03, 04, 06"	04"	POA	POA
9636-RF	02, 03, 04, 06"	06"	POA	POA
9637-RF	02, 03, 04, 06"	08"	POA	POA
9638-RF	02, 03, 04, 06"	10"	POA	POA

FIG. 9635-SBG, 9636-SBG, 9637-SBG, 9638-SBG - 14" SQUARE TOP WITH BAR GRATE

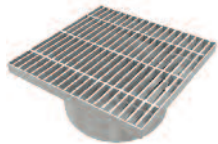


Fig No.	Outlet Size	Sump Depth	†-CF8 (304) Stainless Steel	-CF8M (316) Stainless Steel
9635-SBG	02, 03, 04, 06"	04"	POA	POA
9636-SBG	02, 03, 04, 06"	06"	POA	POA
9637-SBG	02, 03, 04, 06"	08"	POA	POA
9638-SBG	02, 03, 04, 06"	10"	POA	POA

FIG. 9635-SRF, 9636-SRF, 9637-SRF, 9638-SRF - 14" SQUARE HEAVY DUTY RIM FLOW GRATE

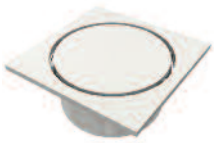


Fig No.	Outlet Size	Sump Depth	†-CF8 (304) Stainless Steel	-CF8M (316) Stainless Steel
9635-SRF	02, 03, 04"	04"	POA	POA
9636-SRF	02, 03, 04"	06"	POA	POA
9637-SRF	02, 03, 04"	08"	POA	POA
9638-SRF	02, 03, 04"	10"	POA	POA

FIG. 9642, 9643 - 14 GAUGE SS AREA & INDIRECT WASTE FLOOR DRAIN WITH 8" SQUARE TOP



Fig No.	Outlet Size	Sump Depth	†-CF8 (304) Stainless Steel	-CF8M (316) Stainless Steel
9642	02, 03, 04"	04"	POA	POA
9643	02, 03, 04"	06"	POA	POA

SMITH STAINLESS STEEL DRAINAGE PRODUCTS

FIG. 9646, 9646-S - 6" ROUND AND 6 1/2" SQUARE CLEANOUT



Fig No.	Outlet Size	†CF8 (304) Stainless Steel	-CF8M (316) Stainless Steel
9646	02, 03, 04"	POA	POA
9646-S	02, 03, 04"	POA	POA

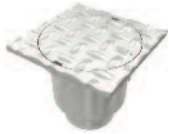


FIG. 9646-ST, 9646-S-ST - 6" SMOOTH ROUND AND 6 1/2" SMOOTH SQUARE CLEANOUT

Fig No.	Outlet Size	†CF8 (304) Stainless Steel	-CF8M (316) Stainless Steel
9646-ST	02, 03, 04"	POA	POA
9646-S-ST	02, 03, 04"	POA	POA

FIG. 9680 - 16" ROOF DRAIN



Fig No.	Outlet Size	†CF8 (304) Stainless Steel	-CF8M (316) Stainless Steel
9680	02, 03, 04"	POA	POA

FIG. 9682 - 10 1/2" ROOF DRAIN



Fig No.	Outlet Size	†CF8 (304) Stainless Steel	-CF8M (316) Stainless Steel
9682	02, 03, 04"	POA	POA

FIG. 9685 - SCUPPER DRAIN



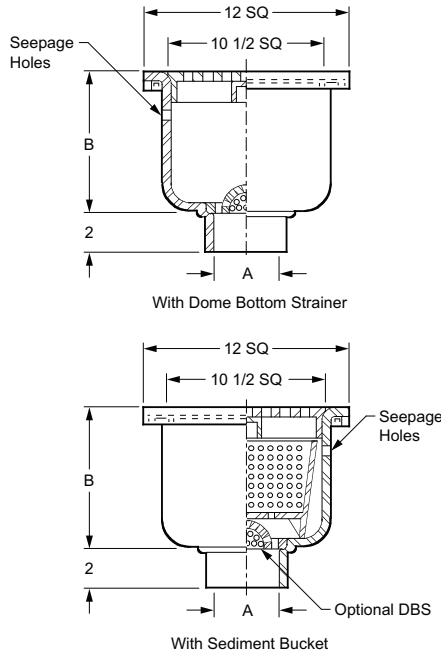
Fig No.	Outlet Size	†CF8 (304) Stainless Steel	-CF8M (316) Stainless Steel
9685	02, 03, 04"	POA	POA

SPECIALTIES, STAINLESS AND CARBON STEEL

FIG. 9690 SERIES 14 GAGE STAINLESS STEEL FLOOR, AREA & INDIRECT WASTE DRAINS W/12" SQUARE TOP



FUNCTION: Used in nuclear and fossil fuel power stations, chemical plants, laboratories and other areas where the corrosion resistance of type 304 stainless steel is satisfactory for the intended service. Also used in other locations such as breweries, dairies, creameries and similar processing plants where superior corrosion resistance, durability and longevity are required. Excellent for use in restaurants, schools and all types of food handling areas for ultimate sanitation.



OUTLET VARIATIONS (Specify type of outlet and pipe size in inches.)

Outlet Type	Outlet Designation Outlet Type/Pipe Size	ADD
Butt Weld	BW02, BW03, BW04 Sched. -5	POA
	BW02, BW03, BW04 Sched. -10	POA
	BW02, BW03, BW04 Sched. -40	POA
Threaded.....	T02, T03, T04 Male or Female	POA
No-Hub	Y02, Y03, Y04	N/C

OPTIONS:		ADD
-C	Flashing Clamp (Type 304)	POA
-LSH	Less Seepage Control Holes	POA
-P	Trap Primer Connection.....	POA
-U	Vandal Proof Grate	POA
-316	Type 316 Stainless Steel Bodies and Grates	POA

Models with Buckets:		
-BS	With Type 304 SS Mesh lined Bucket	POA
-DBS	With Type 304 SS Dome Bottom Strainer.....	POA
-SBP	With Type 304 SS Solid Bottom Ported Bucket	POA

OPTIONAL TOP GRATES FOR SPECIALIZED AND INDIRECT WASTE APPLICATIONS THE FOLLOWING ARE TYPE 304 (CF8) TYPE 316 (CF8M) GRATES ARE POA

		DEDUCT
-10	Less Stainless Steel Grate	POA
		ADD
-12	With Type 304 SS 1/2 Grate	POA
-13	With Type 304 SS 3/4 Grate	POA
-14	With Type 304 SS Grate with 2 1/2" SQ Center Hole	POA
-15	With Type 304 SS Recessed Grate with Bar Handle	POA
-21	With Type 304 SS Grate with 4" DIA Type 304 SS Funnel.....	POA
-22	With Type 304 SS Grate with 6" DIA Type 304 SS Funnel.....	POA
-25	With Type 304 SS Grate with 8 1/4 x 3 1/4 x 4 1/2" High Oval Type 304 SS Funnel.....	POA
-41	With Type 304 SS Solid Cover	POA
-42	With Type 304 SS 1/2 Solid Cover	POA
-43	With Type 304 SS 3/4 Solid Cover	POA
-44	With Type 304 SS Solid Cover with 2 1/2" SQ Center Hole.....	POA
-61	With Type 304 SS Heelproof Ribbed Loose-set Non-tilt Grate with 1/4" Square Holes	POA
-62	With Type 304 SS Medium Duty Ribbed Loose-set Non-tilt Grate with 1/2" Square Holes	POA
-63	With Type 304 SS Medium Duty Ribbed Loose-set Non-tilt Grate with 1/4" Square Holes	POA
-64	With Type 304 SS Heavy Duty Ribbed Loose-set Non-tilt Grate with 1/2" Square Holes	POA
-66	With Type 304 SS Extra Heavy Duty Ribbed Loose-set Non-tilt Grate with 1/2" Square Holes	POA
-68	With Type 304 SS Extra Heavy Duty Ribbed Loose-set Non-tilt Grate with 3/4" Square Holes	POA
-69	With 1" Thick Underbolted NB Rim and Extra Heavy Duty Cast Type 304 SS Secured Grate.....	POA

FIG. NO. w/DOME STRAINER	A OUTLET SIZE	B SUMP DEPTH	TOP SIZE	†LESS FLANGE	WITH FLANGE	APPROX. WEIGHT LBS
9691	02", 03", 04"	4"	12" SQ	POA	POA	14
9692	02", 03", 04"	6"	12" SQ	POA	POA	17
9693	02", 03", 04"	8"	12" SQ	POA	POA	20
9694	02", 03", 04"	10"	12" SQ	POA	POA	23
FIG. NO. SEDIMENT BUCKET	A OUTLET SIZE	B SUMP DEPTH	TOP SIZE	†LESS FLANGE	WITH FLANGE	APPROX. WEIGHT LBS
9696	02", 03", 04"	4"	12" SQ	POA	POA	16
9697	02", 03", 04"	6"	12" SQ	POA	POA	19
9698	02", 03", 04"	8"	12" SQ	POA	POA	22
9699	02", 03", 04"	10"	12" SQ	POA	POA	25

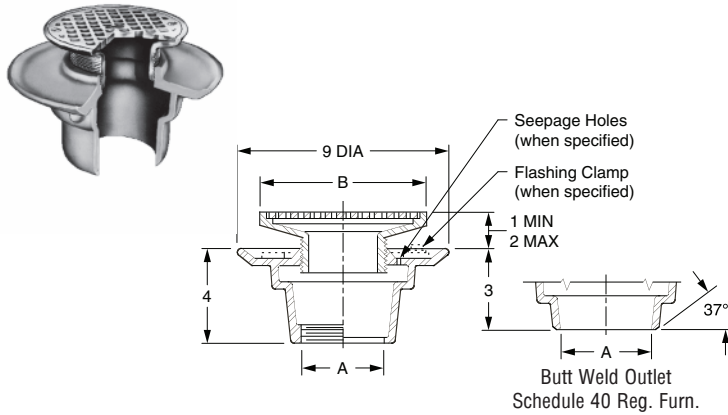
REGULARLY FURNISHED:

14 Gage Type 304 SS Receptor Body with Seepage Control Holes, Cast Type 316 SS Ribbed Non-Tilt Loose Set Grate with 1/2" Square Holes. Perforated SS Dome Bottom Strainer or Sediment Bucket as Indicated by Figure Number.

SPECIALTIES, STAINLESS AND CARBON STEEL

FIG. 9700 CAST SS BODY W/ ADJUSTABLE STRAINER HEAD AND SATIN FINISH CAST SS GRATE

FUNCTION: General service floor drain for use in finished areas where foot traffic is expected, and where a corrosion resistant drain is required.



OUTLET VARIATIONS (Specify type of outlet and pipe size in inches.)

Outlet Type	Outlet Designation	ADD
Butt Weld	BW02, BW03, BW04	POA
	Specify Schedule 5, 10, 40, or 80	
Inside Caulk	C02, C03	POA
Threaded	T02, T03, T04	POA

OPTIONS:	ADD
-B Stainless Steel Sediment Bucket (Type 304)	POA
-C Flashing Clamp with Seepage Openings (Type 304)	POA
-P Trap Primer Connection	POA
-SC Solid Cover (Type 304)	POA
-U Vandal Proof Grate	POA
-WSH With Seepage Holes	POA

A OUTLET SIZE	B STRAINER SIZE	FREE AREA SQ IN	†CF8 (304) STAINLESS STEEL	CF8M (316) STAINLESS STEEL	-A27 CARBON STEEL	APPROX. WT. LBS.
02, 03, 04"	†07" Dia	12.5	POA	POA	POA	15
02, 03, 04"	06 x 06" SQ	12.5	POA	POA	POA	15

REGULARLY FURNISHED: CF8 (Equivalent to Type 304) Rough Finish Stainless Steel Body and Round Adjustable Strainer Head with Satin Finished Top.

FIG. 9703, 9704 ROUGH FINISH STAINLESS STEEL FUNNELS

FUNCTION: Used to receive waste water from indirect waste lines. Funnels are attached to the grate with concealed bolts permitting funnel to be moved to different positions on the grate.

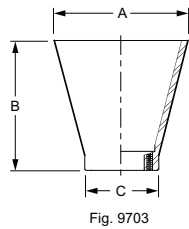
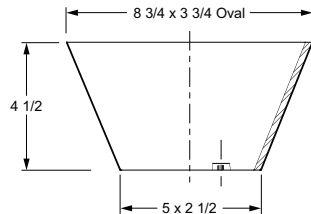


Fig. 9703



OPTIONS:	ADD
-NB Nickel Bronze	See Fig 3580
-SF Satin Finish	POA

FIGURE NO.	A TOP SIZE DIA	B	C	†CF8 (304) SS	-CF8M (316) SS	-A27 CARBON STEEL	APPROX. WT LBS.
9703	4"	4 1/4	2 1/2	POA	POA	POA	3
9703-6	6"	4 1/2	2 1/2	POA	POA	POA	4

FIGURE NO.	TOP SIZE	†CF8 (304) SS	-CF8M (316) SS	-A27 CARBON STEEL	APPROX. WT LBS.
9704	8 3/4 x 3 3/4"	POA	POA	POA	4

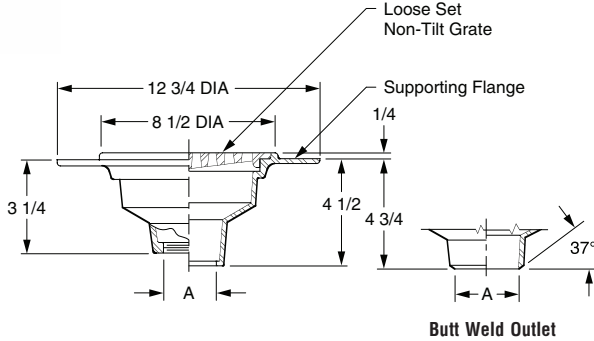
REGULARLY FURNISHED: CF8 (Equivalent to Type 304) Rough Finish Stainless Steel with Stainless Steel Bolts and Washers.

SPECIALTIES, STAINLESS AND CARBON STEEL



FIG. 9705 FLOOR DRAIN W/8 1/2" ROUND MEDIUM DUTY TOP W/EXTENDED INTEGRAL FLANGE FOR WELDING TO STEEL DECKS

FUNCTION: Used in areas where drain body is welded to deck or where waterproof traffic floor coverings are applied and where a corrosion resistant drain is required.



OUTLET VARIATIONS (Specify type of outlet and pipe size in inches.)

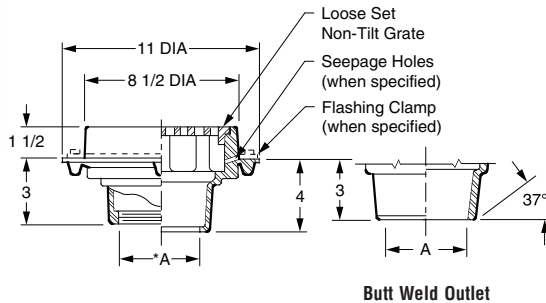
Outlet Type	Outlet Designation Outlet Type/Pipe Size	ADD
Butt Weld	BW02, BW03, BW04 Specify Schedule 5, 10, †40, or 80	POA
Inside Caulk	C02, C03, C04	POA
Threaded	T02, T03, T04	POA
OPTIONS:		
-B	Stainless Steel Sediment Bucket (Type 304)	POA
-SC	Solid Scoriated Cover	POA
-SF	Satin Finish	POA
-U	Vandal Proof Screws	POA
DEDUCT		
-CIG	Cast Iron Grate	POA
-RB	Rough Bronze Grate	POA
-RNB	Rough NB Grate	POA

A OUTLET SIZE	FREE AREA SQ IN	†-CF8 (304) STAINLESS STEEL	-CF8M (316) STAINLESS STEEL	-A27 CARBON STEEL	APPROX. WT. LBS
02, 03, 04"	20.50	POA	POA	POA	21

REGULARLY FURNISHED: CF8 (Equivalent to Type 304) Rough Finish Stainless Steel Body and Loose Set Non-Tilt Grate.

FIG. 9710 FLOOR DRAIN WITH 8 1/2" ROUND MEDIUM DUTY TOP

FUNCTION: Used in floors where corrosive liquids must drain or be discharged. Solid top variation with closure plug allows placement of drains for future use. The advantage of stainless steel over high silicon iron is that it resists corrosive liquids, and accommodates machining for threaded outlets, secured top and/or flashing clamps. These drains are readily adaptable to most types of drain line piping materials. Type 304 stainless steel will handle a variety of corrosive wastes which are found in laboratories, chemical, atomic energy, photographic processing, dairy, breweries and bottling plants.



OUTLET VARIATIONS (Specify type of outlet and pipe size in inches.)

Outlet Type	Outlet Designation Outlet Type/Pipe Size	ADD
Butt Weld	BW02, BW03, BW04 Specify Schedule 5, 10, †40, or 80	POA
Inside Caulk	C02, C03, C04	POA
Threaded	T02, T03, T04	POA
OPTIONS:		
ALL IN TYPE 304		
-B	Sediment Bucket	POA
-C	Flashing Clamp	POA
-E04	4" Extension	POA
-FBS	Flat Bottom Strainer	POA
-SC	Solid Scoriated Cover	POA
-SF	Satin Finish Top	POA
-TP	3/4" Test Plug (for Closure Plug)	POA
-U	Vandal Proof Screws	POA
-W	Seepage Holes	POA
-XP	Closure Plug & Gasket Plastic (XPP)	POA
	Type 304SS (XPSS)	POA

DEDUCT		
-CIG	Cast Iron Grate	POA
-RB	Rough Bronze Grate	POA
-RNB	Rough NB Grate	POA

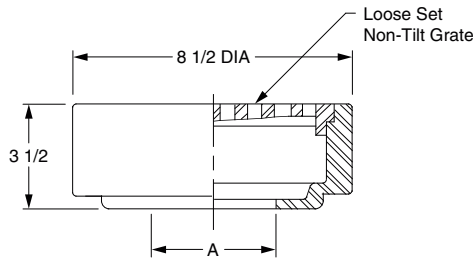
REGULARLY FURNISHED: CF8 (Equivalent to Type 304) Rough Finish Stainless Steel Body, and Loose Set Non-Tilt Grate.

FOR INFORMATION ON POA ITEMS, PLEASE CONTACT YOUR LOCAL JAY R. SMITH REPRESENTATIVE

SPECIALTIES, STAINLESS AND CARBON STEEL

FIG. 9713 SHALLOW BODY FLOOR DRAIN WITH 8 1/2" ROUND MEDIUM DUTY TOP

FUNCTION: Used in moderate traffic areas where waste water contains no sediment or debris. Used where a shallow body is required.



A OUTLET SIZE	FREE AREA SQ IN	†-CF8 (304) STAINLESS STEEL	-CF8M (316) STAINLESS STEEL	-A27 CARBON STEEL	APPROX. WT. LBS
02, 03, 04"	20.50	POA	POA	POA	21

REGULARLY FURNISHED: CF8 (Equivalent to Type 304) Rough Finish Stainless Steel Body and Loose Set Non-Tilt Grate.

OUTLET VARIATIONS (Specify type of outlet and pipe size in inches.)

Outlet Type	Outlet Designation Outlet Type/Pipe Size	ADD
Butt Weld	BW02, BW03, BW04 Specify Schedule 5, 10, †40, or 80	POA
Inside Caulk	C02, C03, C04	POA

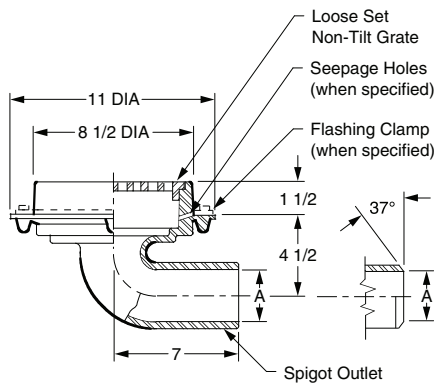
OPTIONS:	ADD
ALL IN TYPE 304	
-B Sediment Bucket	POA
-FBS Flat Bottom Strainer	POA
-E04 4" Extension	POA
-SF Satin Finish Top	POA
-TP 3/4" Test Plug (for Closure Plug)	POA
-U Vandal Proof Screws	POA
-XP Closure Plug & Gasket	
Plastic (XPP)	POA
Type 304 SS (XPSS)	POA

DEDUCT	POA
-CIG Cast Iron Grate	POA
-RNB Rough NB Grate	POA
-RB Rough Bronze Grate	POA

SPECIALTIES

FIG. 9715 FLOOR DRAIN WITH 8 1/2" ROUND MEDIUM DUTY TOP WITH 90° ELBOW

FUNCTION: Used in floors where corrosive liquids must drain or be discharged. Solid top variation with closure plug allows placement of drains for future use. The advantage of stainless steel over high silicon iron is that it resists corrosive liquids, and accommodates machining for threaded outlets, secured top and/or flashing clamps. These drains are readily adaptable to most types of drain line piping materials. Type 304 stainless steel will handle a variety of corrosive wastes which are found in laboratories, chemical, atomic energy, photographic processing, dairy, breweries and bottling plants.



A OUTLET SIZE	FREE AREA SQ IN	†-CF8 (304) STAINLESS STEEL	-CF8M (316) STAINLESS STEEL	-A27 CARBON STEEL	APPROX. WT. LBS
02, 03, 04"	20.50	POA	POA	POA	21

REGULARLY FURNISHED: CF8 (Equivalent to Type 304) Rough Finish Stainless Steel Body, and Loose Set Non-Tilt Grate.

OUTLET VARIATIONS (Specify type of outlet and pipe size in inches.)

Outlet Type	Outlet Designation Outlet Type/Pipe Size	ADD
Butt Weld	BW02, BW03, BW04 Specify Schedule 5, 10, †40, or 80	POA
Spigot	S02, S03, S04	POA

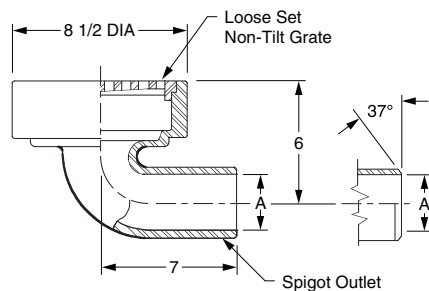
OPTIONS:	ADD
ALL IN TYPE 304	
-B Sediment Bucket	POA
-C Flashing Clamp	POA
-E04 4" Extension	POA
-SC Solid Scoriated Cover	POA
-SF Satin Finish Top	POA
-TP 3/4" Test Plug (for Closure Plug)	POA
-U Vandal Proof Screws	POA
-W Seepage Holes	POA
-XP Closure Plug & Gasket	
Plastic (XPP)	POA
Type 304 SS (XPSS)	POA

DEDUCT	POA
-CIG Cast Iron Grate	POA
-RNB Rough NB Grate	POA
-RB Rough Bronze Grate	POA

SPECIALTIES, STAINLESS AND CARBON STEEL

FIG. 9718 FLOOR DRAIN WITH 8 1/2" ROUND MEDIUM DUTY TOP WITH 90° ELBOW

FUNCTION: Used in moderate traffic areas where waste water contains no sediment or debris.



A OUTLET SIZE	FREE AREA SQ IN	†-CF8 (304) STAINLESS STEEL	-CF8M (316) STAINLESS STEEL	-A27 CARBON STEEL	APPROX. WT. LBS
02, 03, 04"	20.50	POA	POA	POA	30

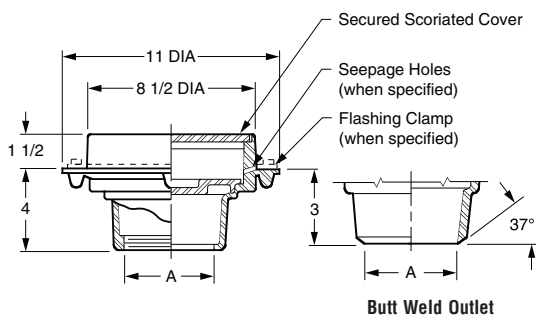
REGULARLY FURNISHED: CF8 (Equivalent to Type 304) Rough Finish Stainless Steel Body and Loose Set Non-Tilt Grate.

OUTLET VARIATIONS (Specify type of outlet and pipe size in inches.)

Outlet Type	Outlet Designation Outlet Type/Pipe Size	ADD
Butt Weld	BW02, BW03, BW04 Specify Schedule 5, 10, †40, or 80	POA
Inside Caulk	C02, C03, C04	POA
Spigot	S02, S03, S04	POA
OPTIONS:		
-B	Sediment Bucket (Type 304)	POA
-E04	4" Extension (Type 304)	POA
-SF	Satin Finish Top	POA
-TP	3/4" Test Plug (for Closure Plug)	POA
-U	Vandal Proof Screws	POA
-XP	Closure Plug and Gasket Plastic (XPP) Type 304 SS (XPSS)	POA
DEDUCT		
-CIG	Cast Iron Grate	POA
-RNB	Rough NB Grate	POA
-RB	Rough Bronze Grate	POA

FIG. 9720 FLOOR DRAIN W/8 1/2" ROUND TOP, SOLID SCORIATED COVER AND CLOSURE PLUG

FUNCTION: Used in floors and areas where a solid cover is required. Closure plug prevents sewer gases from entering the building through the drain.



OUTLET VARIATIONS (Specify type of outlet and pipe size in inches.)

Outlet Type	Outlet Designation Outlet Type/Pipe Size	ADD
Butt Weld	BW02, BW03, BW04 Specify Schedule 5, 10, †40, or 80	POA
Inside Caulk	C02, C03, C04	POA
Threaded	T02, T03, T04	POA
OPTIONS:		
-C	Flashing Clamp (Type 304)	POA
-E04	4" Extension (Type 304)	POA
-SF	Satin Finish Top	POA
-TP	3/4" Test Plug	POA
-U	Vandal Proof Cover	POA
-W	Seepage Holes	POA

DEDUCT FROM CF8 ONLY FOR:
-XPP Plastic Closure PlugPOA

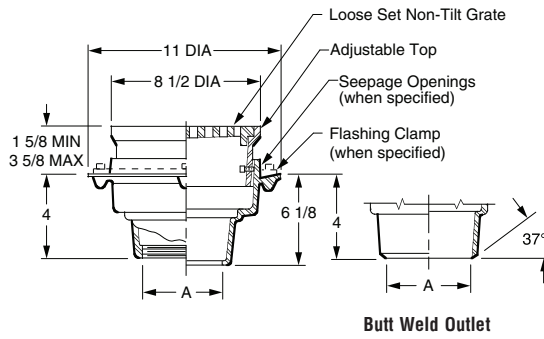
A OUTLET SIZE	†-CF8 (304) STAINLESS STEEL	-CF8M (316) STAINLESS STEEL	-A27 CARBON STEEL	APPROX. WT. LBS
02, 03, 04"	POA	POA	POA	23

REGULARLY FURNISHED: CF8 (Equivalent to Type 304) Rough Finish Stainless Steel Body, Secured Scoriated Cover and Stainless Steel Closure Plug with Gasket.

SPECIALTIES, STAINLESS AND CARBON STEEL

FIG. 9725 FLOOR DRAIN WITH 8 1/2" ROUND ADJUSTABLE TOP

FUNCTION: Used in moderate traffic areas where an adjustable top permits accurate positioning of grate to meet finished floor levels.



A OUTLET SIZE	FREE AREA SQ IN	†-CF8 (304) STAINLESS STEEL	-CF8M (316) STAINLESS STEEL	-A27 CARBON STEEL	APPROX. WT. LBS
02, 03, 04"	20.50	POA	POA	POA	30

REGULARLY FURNISHED: CF8 (Equivalent to Type 304) Rough Finish Stainless Steel Body, Loose Set Non-Tilt Grate with Adjustable Top.

OUTLET VARIATIONS (Specify type of outlet and pipe size in inches.)

Outlet Type	Outlet Designation Outlet Type/Pipe Size	ADD
Butt Weld	BW02, BW03, BW04 Specify Schedule 5, 10, †40, or 80	POA
Inside Caulk	C02, C03, C04	POA
Threaded	T02, T03, T04	POA

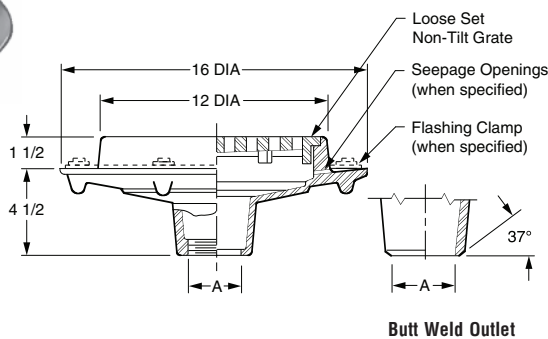
OPTIONS:	ADD
-B Sediment Bucket (Type 304)	POA
-C Flashing Clamp (Type 304)	POA
-E04 4" Extension (Type 304)	POA
-FBS Flat Bottom Strainer (304)	POA
-SC Solid Scor Cover (Type 304)	POA
-SF Satin Finish Top	POA
-TP 3/4" Test Plug (for Closure Plug)	POA
-U Vandal Proof Grate	POA
-W Seepage Holes	POA
-XP Closure Plug and Gasket	
Plastic (XPP)	POA
Type 304SS (XPSS)	POA

DEDUCT	POA
-CIG Cast Iron Grate	POA
-RNB Rough NB Grate	POA
-RB Rough Bronze Grate	POA

SPECIALTIES

FIG. 9730 FLOOR DRAIN WITH 12" ROUND HEAVY DUTY TOP

FUNCTION: Used in areas where waste water contains no sediment or debris and construction requires a shallow body.



A OUTLET SIZE	FREE AREA SQ IN	†-CF8 (304) STAINLESS STEEL	-CF8M (316) STAINLESS STEEL	-A27 CARBON STEEL	APPROX. WT. LBS
04"	27.63	POA	POA	POA	52
06"	27.63	POA	POA	POA	54

REGULARLY FURNISHED: CF8 (Equivalent to Type 304) Rough Finish Stainless Steel Body and Loose Set Non-Tilt Grate.

OUTLET VARIATIONS (Specify type of outlet and pipe size in inches.)

Outlet Type	Outlet Designation Outlet Type/Pipe Size	ADD
Butt Weld	BW04, BW06 Specify Schedule 5, 10, †40, or 80	POA
Inside Caulk	C04, C06	POA
Threaded	T04, T06	POA

OPTIONS:	ADD
-C Flashing Clamp (Type 304)	POA
-SF Satin Finish Top	POA
-U Vandal Proof Grate	POA
-W Seepage Holes	POA

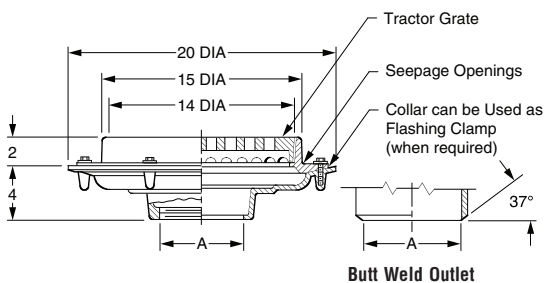
DEDUCT	POA
-CIG Cast Iron Grate	POA
-RNB Rough NB Grate	POA
-RB Rough Bronze Grate	POA

SPECIALTIES, STAINLESS AND CARBON STEEL

FIG. 9733 FLOOR DRAIN 15" ROUND TOP WITH HEAVY DUTY TRACTOR GRATE



FUNCTION: Used in areas where waste water contains no sediment or debris and construction requires a shallow body. Large top area permits use where high flow is anticipated.



OUTLET VARIATIONS (Specify type of outlet and pipe size in inches.)

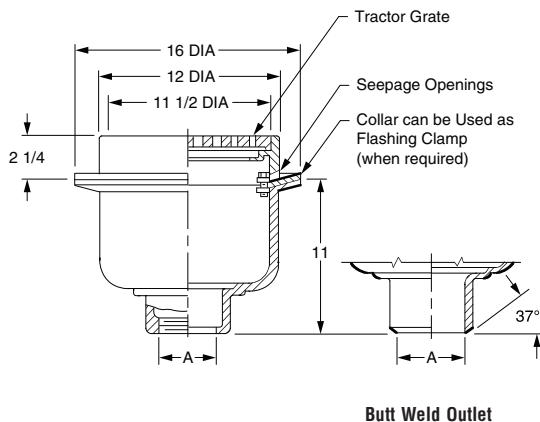
Outlet Type	Outlet Designation	ADD
Butt Weld	BW04, BW05, BW06, BW08 Specify Schedule 5, 10, †40, or 80	POA
Inside Caulk	C04, C05, C06, C08	POA
Threaded	T04, T05, T06, T08	POA
OPTIONS:		ADD
-M	Ductile Iron Grate	POA
-SF	Satin Finish Top	POA
DEDUCT		
-CIG	Cast Iron Grate	POA
-RB	Rough Bronze Grate	POA
-RNB	Rough NB Grate	POA

A OUTLET SIZE	FREE AREA SQ IN	†-CF8 (304) STAINLESS STEEL	-CF8M (316) STAINLESS STEEL	-A27 CARBON STEEL	APPROX. WT. LBS
04, 05"	44.95	POA	POA	POA	65
06, 08"	44.95	POA	POA	POA	65

REGULARLY FURNISHED: CF8 (Equivalent to Type 304) Rough Finish Stainless Steel Body, Flashing Collar with Seepage Openings and Tractor Grate.

FIG. 9734 FLOOR DRAIN 12" ROUND TOP WITH HEAVY DUTY TRACTOR GRATE

FUNCTION: Used in heavy traffic areas. Large deep body provides reservoir where heavy flow is expected, and where a corrosion resistant drain is required.



OUTLET VARIATIONS (Specify type of outlet and pipe size in inches.)

Outlet Type	Outlet Designation	ADD
Butt Weld	BW03, BW04, BW05, BW06 Specify Schedule 5, 10, †40, or 80	POA
Inside Caulk	C03, C04, C05, C06	POA
Threaded	T03, T04, T05, T06	POA
OPTIONS:		ADD
-A27	Carbon Steel Grate	POA
-B	Sediment Bucket (Type 304)	POA
-CF8M	Type 316 SS Grate	POA
-M	Ductile Iron Grate	POA
-RG	Rough Stainless Grate (Type 304)	POA
-RNB	Rough NB Grate	POA
-SF	Satin Finish Top	POA
-U	Vandal Proof Screws	POA
DEDUCT		
-CIG	Cast Iron Grate	POA

A OUTLET SIZE	FREE AREA SQ IN	†-CF8 (304) STAINLESS STEEL	-CF8M (316) STAINLESS STEEL	-A27 CARBON STEEL	APPROX. WT. LBS
03, 04"	28.66	POA	POA	POA	83
05, 06"	28.66	POA	POA	POA	95

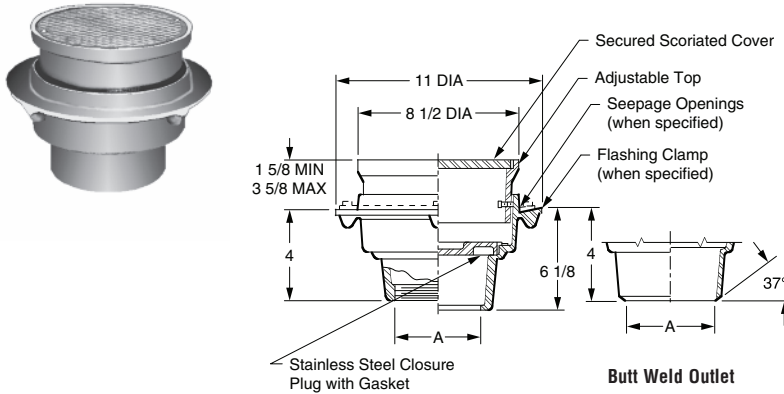
REGULARLY FURNISHED: CF8 (Equivalent to Type 304) Rough Finish Stainless Steel Body, Flashing Collar with Seepage Openings and Rough Bronze Tractor Grate.

SPECIALTIES, STAINLESS AND CARBON STEEL



FIG. 9735 FLOOR DRAIN W/ 1/2" ROUND ADJUSTABLE TOP, SCORIATED COVER AND CLOSURE PLUG

FUNCTION: Used in floors where a solid cover and internal gasketed closure plug are required. Internal plug prevents sewer gas from escaping into building. Adjustable top collar permits accurate position of top cover to meet finished floor.



OUTLET VARIATIONS (Specify type of outlet and pipe size in inches.)

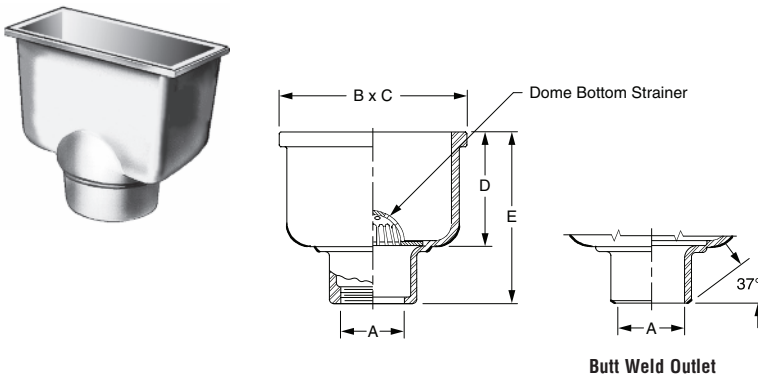
Outlet Type	Outlet Designation	Outlet Type/Pipe Size	ADD
Butt Weld		BW02, BW03, BW04	POA
		Specify Schedule 5, 10, †40, or 80	
Inside Caulk		C02, C03, C04	POA
Threaded		T02, T03, T04	POA
OPTIONS:			
-A27	Carbon Steel Grate		POA
-C	Flashing Clamp (Type 304)		POA
-E04	4" Extension (Type 304)		POA
-SF	Satin Finish Top		POA
-TP	3/4" Test Plug (for Closure Plug)		POA
-U	Vandal Proof Screws		POA
-W	Seepage Holes		POA
DEDUCT			
-XPP	Closure Plug and Gasket		
	Plastic Closure Plug (XPP)		POA

A OUTLET SIZE	†-CF8 (304) STAINLESS STEEL	-CF8M (316) STAINLESS STEEL	-A27 CARBON STEEL	APPROX. WT. LBS
02, 03, 04"	POA	POA	POA	21

REGULARLY FURNISHED: CF8 (Equivalent to Type 304) Rough Finish Stainless Steel Body, Adjustable Top, Secured Scoriated Cover and Gasketed Stainless Steel Closure Plug.

FIG. 9740 INDIRECT WASTE RECEPTOR

FUNCTION: Used in areas where an indirect waste receptor is required and not subject to foot or other traffic. Rectangular shape permits installation against wall with short dimension protruding away from wall.



OUTLET VARIATIONS (Specify type of outlet and pipe size in inches.)

Outlet Type	Outlet Designation	Outlet Type/Pipe Size	ADD
Butt Weld		BW03, BW04, BW06	POA
		Specify Schedule 5, 10, †40, or 80	
Inside Caulk		C03, C04, C06	POA
OPTIONS:			
-DBSCI	CI Dome Bottom Strainer (Not avail. for 4x8" top size)		POA
-F	304 SS Flange, 4x8" Top		POA
-F	304 SS Flange, 6x12" Top		POA
-FC	304 Flange & Clamp 4x8" Top (Type 304)		POA
-FC	304 Flange & Clamp 6x12" Top (Type 304)		POA
-SDBS	304 SS Dome Bottom Strainer		POA
-TP	3/4" Test Plug (for Closure Plug) (Type 304)		POA
-W	Seepage Holes		POA
-XP	Closure Plug & Gasket		
	Plastic (XPP)		POA
	Type 304 SS (X PSS)		POA

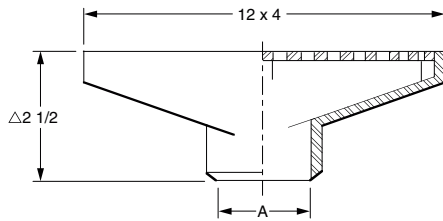
A OUTLET SIZE	BxC TOP SIZE	D	E	†-CF8 (304) STAINLESS STEEL	-CF8M (316) STAINLESS STEEL	-A27 CARBON STEEL	APPROX. WT. LBS.
03"	4x8"	3"	5 1/2"	POA	POA	POA	21
03,04,06"	6x12"	7 1/4"	10 1/2"	POA	POA	POA	23

REGULARLY FURNISHED: CF8 (Equivalent to Type 304) Rough Finish Stainless Steel Body with Aluminum Dome Bottom Strainer.

SPECIALTIES, STAINLESS AND CARBON STEEL

FIG. 9745 GUTTER DRAIN

FUNCTION: Used in gutters or other areas where a rectangular top is desired.



Δadd 1/8" for nickel bronze frame and grate.

A OUTLET SIZE	TOP SIZE	FREE AREA SQ IN	†-CF8 (304) STAINLESS STEEL	-CF8M (316) STAINLESS STEEL	-A27 CARBON STEEL	APPROX. WT. LBS
02, 03	12x4"	11.50	POA	POA	POA	10

REGULARLY FURNISHED: CF8 (Equivalent to Type 304)
Rough Finished Stainless Steel Body and Secured Stainless Steel Grate.

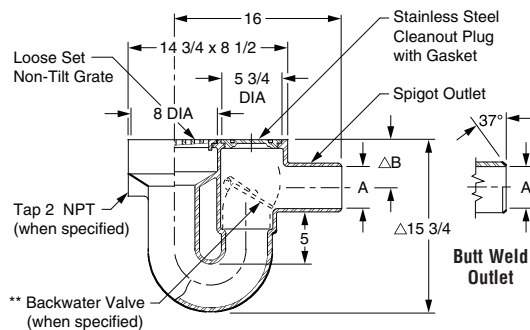
OUTLET VARIATIONS (Specify type of outlet and pipe size in inches.)

Outlet Type	Outlet Designation Outlet Type/Pipe Size	ADD
Butt Weld	BW02, BW03 Specify Schedule 5, 10, †40, or 80	POA

OPTIONS:		ADD
-U	Vandal Proof Screws	POA
-SF	Satin Finish Top	POA

FIG. 9750 INTEGRAL TRAP DRAIN WITH FLOOR LEVEL CLEANOUT

FUNCTION: Used in moderate traffic areas where deep trap seal, floor level cleanout and shallow side outlet rough-in are required where limited space is available.



Δadd 1/4" when Nickel Bronze Top is specified.

A OUTLET SIZE	FREE AREA SQ IN	†-CF8 (304) STAINLESS STEEL	-CF8M (316) STAINLESS STEEL	-A27 CARBON STEEL	APPROX. WT. LBS
03, 04"	20.50	POA	POA	POA	21

REGULARLY FURNISHED: CF8 (Equivalent to Type 304)
Rough Finish Stainless Steel Body, Loose Set Non-Tilt Grate and Cleanout Plug with Gasket.

OUTLET VARIATIONS (Specify type of outlet and pipe size in inches.)

Outlet Type	Outlet Designation Outlet Type/Pipe Size	ADD
Butt Weld	BW03, BW04 Specify Schedule 5, 10, †40, or 80	POA
Spigot	S03, S04	POA

OPTIONS:		ADD
-N2	2" NPT Auxiliary Inlet	POA
-SF	Satin Finish Top	POA
-SEC	Secured Grate	POA
-SW	Spanner Wrench	POA
-U	Vandal Proof Screws	POA
-V	304 SS Backwater Valve	POA

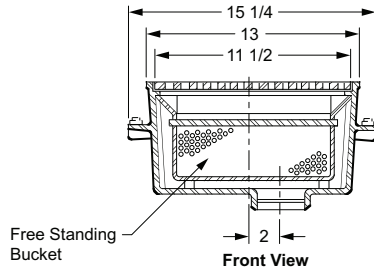
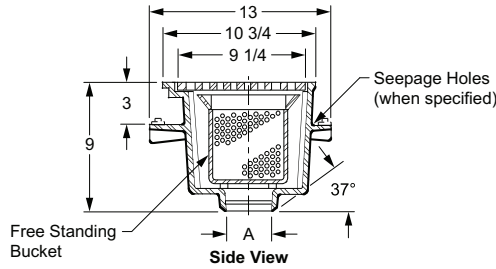
	DEDUCT
-NB	NB Frame, Grate & CO Cover

**** NOTE:** These valves offer protection against backwater surges. Backflow is prevented when not obstructed by debris or sludge. Use for gravity flow only, not pressurized application.

SPECIALTIES, STAINLESS AND CARBON STEEL

FIG. 9755 SQUARE HEAVY DUTY DRAIN W/POLISHED BRONZE TOP AND FREE STANDING SEDIMENT BUCKET

FUNCTION: Used in traffic areas and areas that require an offset outlet and rectangular top.



OUTLET VARIATIONS (Specify type of outlet and pipe size in inches.)

Outlet Type	Outlet Designation Outlet Type/Pipe Size	ADD
Butt Weld	BW02, BW03, BW04 BW05, BW06	POA
	Specify Schedule 5, 10, †40, or 80	

OPTIONS:

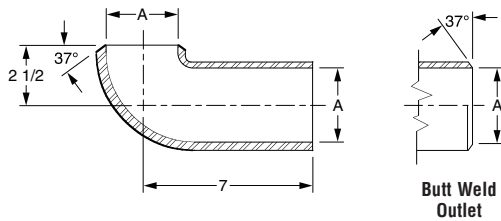
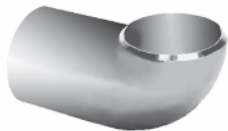
Option	Description	ADD
-C	Flashing Clamp w/Seepage Holes (Type 304).....	POA
-RNB	Rough NB Grate	POA
-W	Seepage Holes	POA
-316G	CF8M Grate.....	POA
-304G	CF8 Grate	POA

A OUTLET SIZE	TOP SIZE	FREE AREA SQ IN	†-CF8 (304) SS BODY PB GRATE	-CF8M (316) SS BODY PB GRATE	-A27 CARBON STL PB GRATE	APPROX. WT LBS.
02, 03, 04"	10 3/4 x 13"	42	POA	POA	POA	65
05, 06"	10 3/4 x 13"	42	POA	POA	POA	65

REGULARLY FURNISHED: CF8 (Equivalent to Type 304) Rough Finish Stainless Steel Body with Sediment Bucket and Heavy Duty Loose Set Polished Bronze Grate.

FIG. 9759 90° SIDE OUTLET

FUNCTION: The 90° outlet is used to convert a bottom outlet drain to a side outlet connection.



OUTLET VARIATIONS (Specify type of outlet and pipe size in inches.)

Outlet Type	Outlet Designation Outlet Type/Pipe Size	ADD
Butt Weld	BW02, BW03, BW04 Specify Schedule 5, 10, †40, or 80	POA
Spigot.....	S02, S03, S04	POA

A OUTLET SIZE	†-CF8 (304) STAINLESS STEEL	-CF8M (316) STAINLESS STEEL	-A27 CARBON STEEL	APPROX. WT. LBS
02"	POA	POA	POA	3
03"	POA	POA	POA	5
04"	POA	POA	POA	7

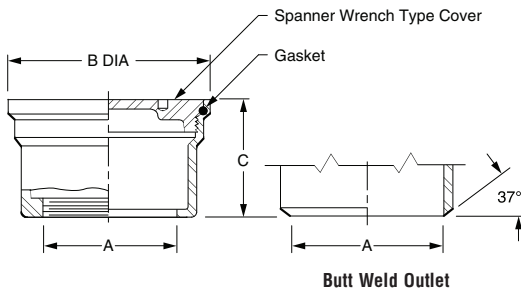
REGULARLY FURNISHED: CF8 (Equivalent to Type 304) Rough Finish Stainless Steel Elbow with Butt Weld Inlet Connection and Plain End Spigot Outlet.

SPECIALTIES, STAINLESS AND CARBON STEEL

FIG. 9760 ROUND DECK PLUG



FUNCTION: Used as floor cleanout for drainage lines. Cover is water and gas tight and requires a spanner wrench for removal.



OUTLET VARIATIONS (Specify type of outlet and pipe size in inches.)

Outlet Type	Outlet Designation Outlet Type/Pipe Size	ADD
Butt Weld	BW02, BW03, BW04	POA
	Specify Schedule 5, 10, †40, or 80	
Threaded.....	T02, T03, T04.....	POA

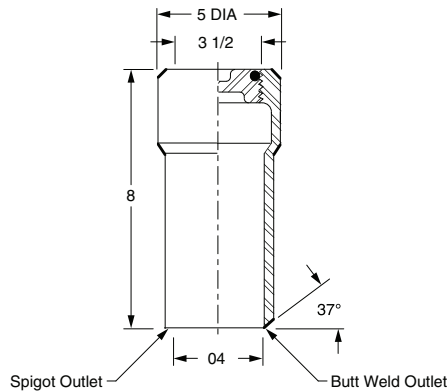
OPTIONS:	ADD
-SW Steel Spanner Wrench	POA

A OUTLET SIZE	B DIA		C		†CF8 (304) STAINLESS STEEL	-CF8M (316) STAINLESS STEEL	-A27 CARBON STEEL	APPROX. WT. LBS
	CAULK	BUTT WELD	CAULK	BUTT WELD				
02"	4 1/2"	4 1/2"	3"	3"	POA	POA	POA	5
03"	5 1/2"	4 1/2"	3"	3"	POA	POA	POA	5
04"	7 1/2"	5 1/2"	3 1/4"	3 1/4"	POA	POA	POA	10

REGULARLY FURNISHED: CF8 (Equivalent to Type 304) Rough Finish Stainless Steel Body and Cover with Gasket.

FIG. 9770 FERRULE AND PLUG

FUNCTION: Used where extension type of cleanout is required. Not recommended for installation in floor areas subject to traffic unless access cover is provided.



OUTLET VARIATIONS (Specify type of outlet and pipe size in inches.)

Outlet Type	Outlet Designation Outlet Type/Pipe Size	ADD
Butt Weld	BW04	POA
	Specify Schedule 5, 10, †40, or 80	

OPTIONS:	ADD
-SF Satin Finish Top	POA

A OUTLET SIZE	†CF8 (304) STAINLESS STEEL	-CF8M (316) STAINLESS STEEL	-A27 CARBON STEEL	APPROX. WT. LBS
04"	POA	POA	POA	10

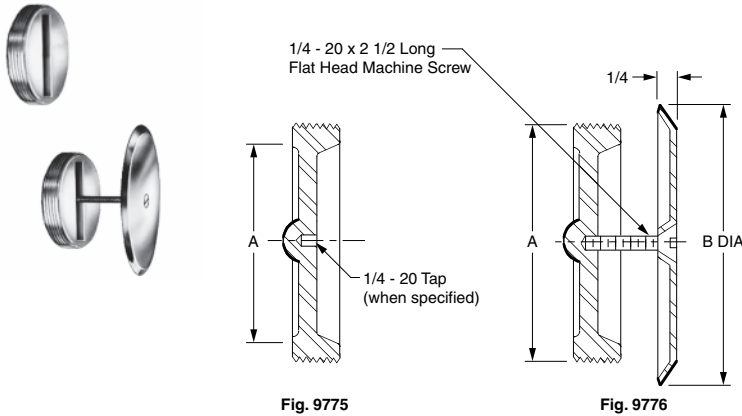
REGULARLY FURNISHED: CF8 (Equivalent to Type 304) Rough Finish Stainless Steel Body and Plug with Gasket.

SPECIALTIES, STAINLESS AND CARBON STEEL

FIG. 9775, 9776 WALL CLEANOUTS



FUNCTION: Used in female NPT openings in drainage piping where a cleanout is required. Face-of-wall cover is desirable on finished walls.



OUTLET VARIATIONS (Specify type of outlet and pipe size in inches.)

Outlet Type	Outlet Designation Outlet Type/Pipe Size	ADD
Threaded.....	T03, T04	POA

OPTIONS:

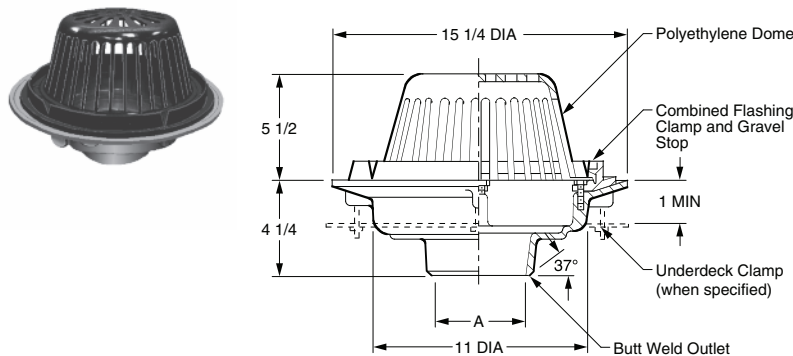
		ADD
-LS	6" Long Center Screw (Fig 9776)	POA
-TP	Plug Tapped 1/4-20 Thread (Fig 9775)	POA
-U	Vandal Proof Screws (Fig 9776)	POA

FIGURE NO.	A OUTLET SIZE	B DIA COVER SIZE	†-CF8 (304) STAINLESS STEEL	-CF8M (316) STAINLESS STEEL	-A27 CARBON STEEL	APPROX. WT. LBS
9775	03"	—	POA	POA	POA	3
	04"	—	POA	POA	POA	5
9776	03"	5 1/2"	POA	—	—	3
	04"	7 1/4"	POA	—	—	5

REGULARLY FURNISHED: CF8 (Equivalent to Type 304) Rough Finish Stainless Steel Plug. Screw with Polished Stainless Steel Cover Plate as Indicated by Figure Number.

FIG. 9780 LARGE GENERAL PURPOSE ROOF DRAIN

FUNCTION: Used in flat roofs of any construction. Large low profile dome provides sufficient free area for quick drainage of rain water and protects the drain sump and connected piping from the intrusion of debris. Wide clamping surface holds flashing and roofing materials without puncturing.



OUTLET VARIATIONS (Specify type of outlet and pipe size in inches.)

Outlet Type	Outlet Designation Outlet Type/Pipe Size	ADD
Butt Weld	BW03, BW04, BW06	POA
	Specify Schedule 5, 10, †40, or 80	

OPTIONS:

		ADD
-A27D	Carbon Steel Dome	POA
-C	Underdeck Clamp	POA
-CID	Cast Iron Dome	POA
-SD	Secured Dome	POA
-U	Vandal Proof	POA
-304D	Type 304 Steel Dome	POA
-316D	Type 316 Steel Dome	POA

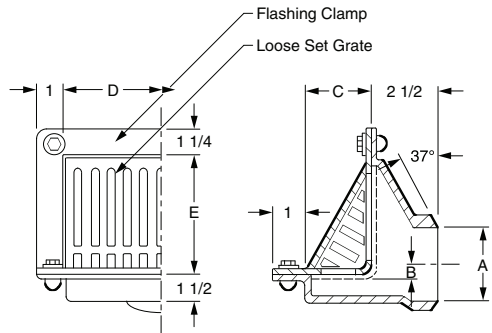
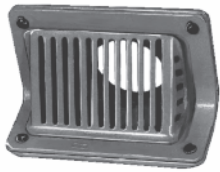
A OUTLET SIZE	FREE AREA SQ IN	†-CF8 (304) SS BODY, COLLAR, POLY DOME	-CF8M (316) SS BODY, COLLAR, POLY DOME	-A27 STL BODY, COLLAR, POLY DOME	APPROX. WT. LBS
03, 04"	102.5	POA	POA	POA	35
06"	102.5	POA	POA	POA	37

REGULARLY FURNISHED: CF8 (Equivalent to Type 304) Rough Finish Stainless Steel Body. Combined Flashing Collar and Gravel Stop and Polyethylene Dome.

SPECIALTIES, STAINLESS AND CARBON STEEL

FIG. 9785 SCUPPER DRAIN

FUNCTION: Used at junction of roof and parapet. The angle grate prevents debris from blocking drainage.



OUTLET VARIATIONS (Specify type of outlet and pipe size in inches.)

Outlet Type	Outlet Designation Outlet Type/Pipe Size	ADD
Butt Weld	BW02, BW03, BW04 BW05, BW06 Specify Schedule 5, 10, †40 or 80	POA

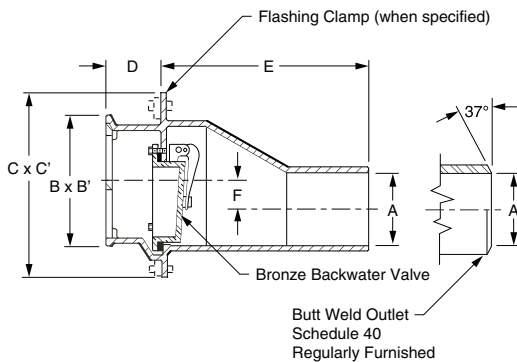
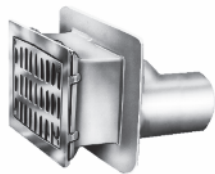
OPTIONS:	ADD
-A27G Carbon Steel Frame and Grate	POA
-U Vandal Proof Screws	POA
-304G Type 304 Frame and Grate (02-04")	POA
-304G Type 304 Frame and Grate (05-06")	POA
-316G Type 316 Frame and Grate (02-04")	POA
-316G Type 316 Frame and Grate (05-06")	POA

A OUTLET SIZE	B	C	D	E	FREE AREA SQ IN	†-CF8 (304) SS BODY, NB FRAME AND GRATE	-CF8M (316) SS BODY, NB FRAME AND GRATE	-A27 STL BODY NB FRAME AND GRATE	APPROX. WT. LBS
02, 03"	1/4"	3 1/4"	8 3/4"	5"	17.87	POA	POA	POA	17
04"	1/2"	3 1/4"	8 3/4"	5"	17.87	POA	POA	POA	17
05, 06"	1 3/4"	4"	10 1/2"	6 1/2"	35	POA	POA	POA	25

REGULARLY FURNISHED: CF8 (Equivalent to Type 304) Rough Finish Stainless Steel Body with Nickel Bronze Loose Set Grate and Clamping Collar.

FIG. 9790 PIT DRAIN WITH BACKWATER VALVE

FUNCTION: Used at base of side walls in pits, where low elevation requires a vertical inlet grate and side outlet roughing. Unless obstructed by debris or sludge, SMITH backflow valves prevent backflow which could damage equipment in pit. Used for gravity flow, not for high flow pump applications.



OUTLET VARIATIONS (Specify type of outlet and pipe size in inches.)

Outlet Type	Outlet Designation Outlet Type/Pipe Size	ADD
Butt Weld	BW03, BW04, BW05 BW06, BW08 Specify Schedule 5, 10, †40 or 80	POA
Spigot	S03, S04, S05 S06, S08	POA

OPTIONS:	ADD
-A27G Carbon Steel Grate	POA
-C Galv. Clamping Collar	POA
-U Vandal Proof	POA
-V Type 304 SS Backwater Valve	POA
-316G Type 316 Grate	POA
	DEDUCT
-CIG Cast Iron Grate	POA

A OUTLET SIZE	B X B'	C X C'	D	E	F	FREE AREA SQ IN	†-CF8 (304) STAINLESS STEEL	-CF8M (316) STAINLESS STEEL	-A27 CARBON STEEL	APPROX. WT. LBS
03, 04"	6 3/4 x 9 1/2"	10 1/4 x 12"	3"	11 1/4"	2 3/4"	15.07	POA	POA	POA	47
05, 06"	7 3/4 x 11"	9 3/4 x 13"	4"	13 1/4"	1 1/4"	24.57	POA	POA	POA	76
08"	12 1/2 x 14 1/2"	17 1/4 x 19"	4"	22"	3 1/2"	56.14	POA	POA	POA	164

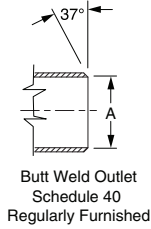
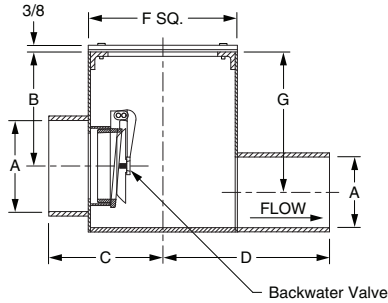
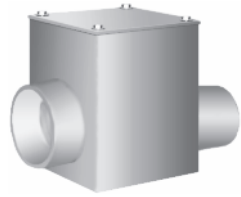
REGULARLY FURNISHED: CF8 (Equivalent to Type 304) Rough Finish Stainless Steel Body with Secured Grate and Bronze Backwater Valve.

SPECIALTIES, STAINLESS AND CARBON STEEL

FIG. 9795 BACKWATER VALVE



FUNCTION: Used in main or branch sewer lines to protect against backflow. SMITH backwater valves prevent hazardous or damaging backflow unless obstructed by debris or sludge. Valve design permits access to backwater valve assembly servicing or cleaning through a "full opening" cover.



OUTLET VARIATIONS (Specify type of outlet and pipe size in inches.)

Outlet Type	Outlet Designation	ADD
Butt Weld	BW03, BW04	POA
	Specify Schedule 5, 10, †40 or 80	

OPTIONS:	ADD
-U Vandal Proof	POA

A OUTLET SIZE	B	C	D	F SQ.	G	†-CF8 (304) STAINLESS STEEL	-CF8M (316) STAINLESS STEEL	-A27 CARBON STEEL	APPROX. WT. LBS
03"	6 1/4"	5 3/4"	9"	7 1/2"	7 1/2"	POA	POA	POA	47
04"	6 1/2"	6 1/2"	9 1/2"	8 1/2"	8"	POA	POA	POA	76

REGULARLY FURNISHED: Fabricated Type 304 Stainless Steel Body, Bolted Cover and Bronze Backwater Valve.

SPECIALTIES